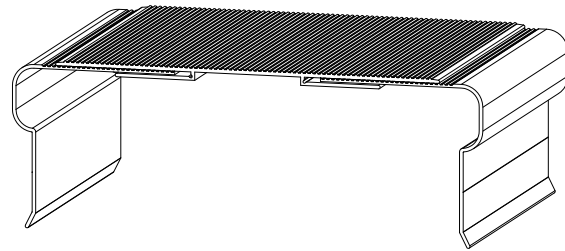


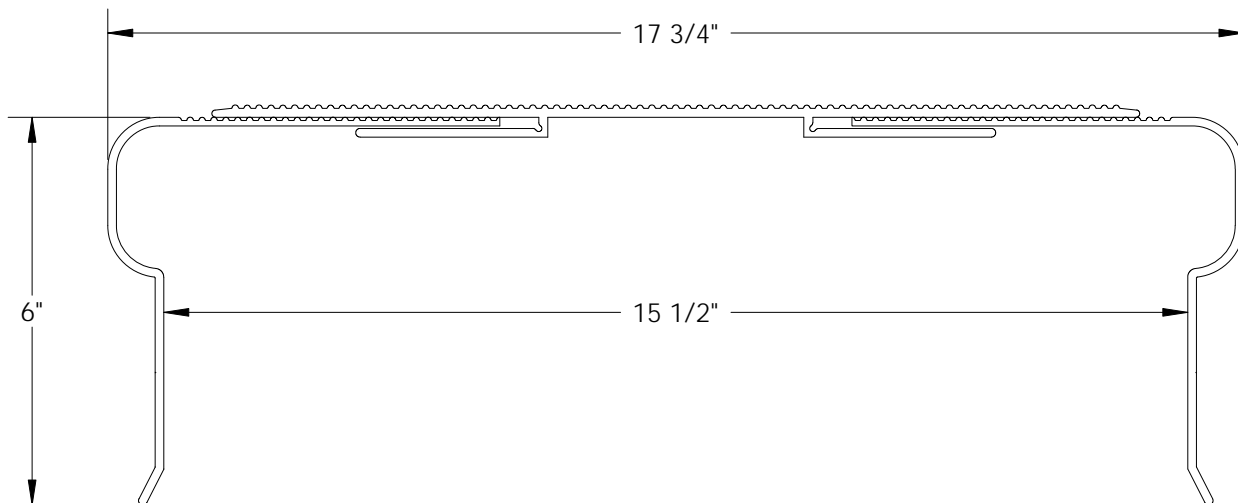


AW-1600 Cap



Drawn: JAB Date: 08/18/09

Outside Width	17.75 in	451 mm
Inside Width	15.5 in	394 mm
Material	6063-T6 Marine Grade Aluminum	
Sheet Piling Compatibility	GG-70, GG-75	
Recommended Accessories	45° and 90° AW-1600 Corner Insert	
Standard Colors/Surface Treatment	Mill Finish	
Standard Packaging	20ft AW-1600 Cap, SS and PVC Fasteners, Splice Insert	



Physical properties are defined by ASTM testing standards, The Aluminum Association Design Manual, and/or standard engineering practice. The values shown are nominal and may vary. The information found in this document is believed to be true and accurate. No warranties of any kind are made as to the suitability of any CMI product for particular applications or the results obtained there from. ShoreGuard, C-Loc, TimberGuard, GeoGuard, Dura Dock, Shore-All, and Gator Gates are registered trademarks of Crane Materials International. ArmorWare, Ultra Composite, GatorDocks, GatorBridge and CMI Waterfront Solutions are trademarks of Crane Materials International. United States and International Patent numbers 5,145,287; 6,000,883; 6,033,155; 6,053,666; D420,154; 6,575,667; 7,059,807; 7,056,066; 7,025,539; 7,393,482; Other patents pending. © 2009 Crane Materials International. All Rights Reserved.