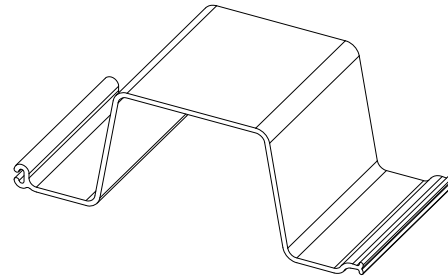


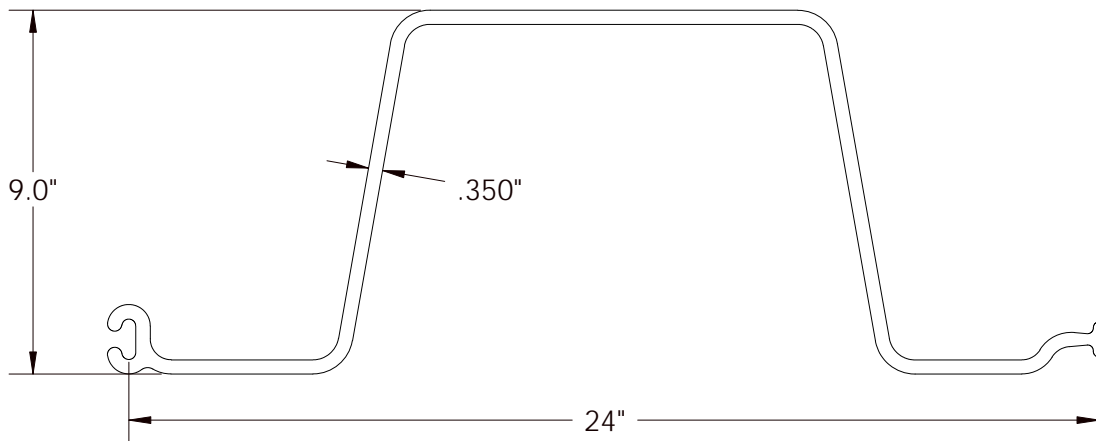


# CL-9900



Drawn: JAB Date: 06/18/09

<b>Allowable Moment (M)</b>	5,333 lb-ft/ft	23.72 kN-m/m
<b>Section Modulus (Z)</b>	20.0 in <sup>3</sup> /ft	1,075 cm <sup>3</sup> /m
<b>Moment of Inertia (I)</b>	90 in <sup>4</sup> /ft	12,290 cm <sup>4</sup> /m
<b>Impact Strength</b>	13,750 in-lbs/in <sup>2</sup>	2,406 N-mm/mm <sup>2</sup>
<b>Thickness (t)</b>	0.350 in	8.9 mm
<b>Section Depth</b>	9.0 in	229 mm
<b>Section Width</b>	24 in	610 mm
<b>Material</b>	Weatherable Rigid Vinyl	
<b>Standard Colors</b>	Grey, Clay	
<b>Profile/Patented Features</b>	Box Profile	
<b>Standard Packaging</b>	20 sheets/bundle	



Physical properties are defined by ASTM testing standards, The Aluminum Association Design Manual, and/or standard engineering practice. The values shown are nominal and may vary. The information found in this document is believed to be true and accurate. No warranties of any kind are made as to the suitability of any CMI product for particular applications or the results obtained there from. ShoreGuard, C-Loc, TimberGuard, GeoGuard, Dura Dock, Shore-All, and Gator Gates are registered trademarks of Crane Materials International. ArmorWare, Ultra Composite, GatorDocks, GatorBridge and CMI Waterfront Solutions are trademarks of Crane Materials International. United States and International Patent numbers 5,145,287; 6,000,883; 6,033,155; 6,053,666; D420,154; 6,575,667; 7,059,807; 7,056,066; 7,025,539; 7,393,482; Other patents pending. © 2009 Crane Materials International. All Rights Reserved.