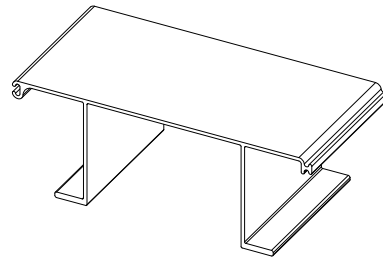


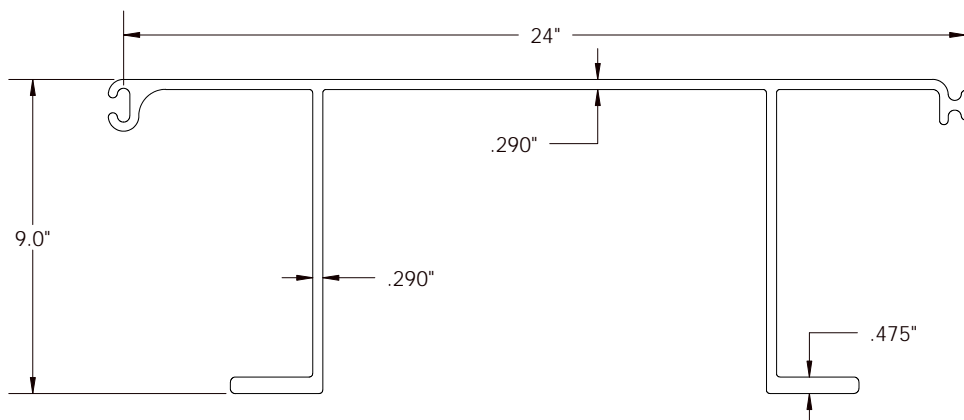


FLAT PANEL™



Drawn: JAB Date: 10/27/09

Allowable Moment (M)	5,387 lb-ft/ft	23.96 kN-m/m
Section Modulus (Z)	20.2 in ³ /ft	1,086 cm ³ /m
Moment of Inertia (I)	91 in ⁴ /ft	12,430 cm ⁴ /m
Impact Strength	13,750 in-lbs/in ²	2,406 N-mm/mm ²
Thickness (t)	0.290 in	7.4 mm
Section Depth	9.0 in	229 mm
Section Width	24 in	610 mm
Material	Weatherable Rigid Vinyl	
Standard Colors	Textured Grey, Textured Clay	
Profile/Patented Features	Flat Profile, I-Beam Lock	
Standard Packaging	6 sheets/bundle	



Physical properties are defined by ASTM testing standards, The Aluminum Association Design Manual, and/or standard engineering practice. The values shown are nominal and may vary. The information found in this document is believed to be true and accurate. No warranties of any kind are made as to the suitability of any CMI product for particular applications or the results obtained there from. ShoreGuard, C-Loc, Flat Panel, TimberGuard, GeoGuard, Dura Dock, Shore-All, and Gator Gates are registered trademarks of Crane Materials International. ArmorWare, Ultra Composite, GatorDocks, GatorBridge and CMI Waterfront Solutions are trademarks of Crane Materials International. United States and International Patent numbers 5,145,287; 6,000,883; 6,033,155; 6,053,666; D420,154; 6,575,667; 7,059,807; 7,056,066; 7,025,539; 7,393,482; Other patents pending. © 2009 Crane Materials International. All Rights Reserved.