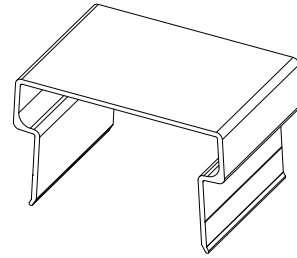


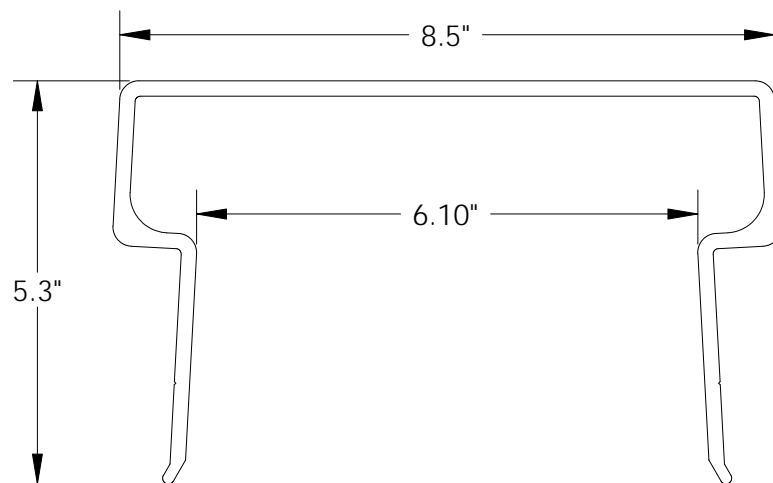


# SC-13 Cap



Drawn: JAB Date: 06/18/09

<b>Section Modulus (Z)</b>	10.4 in <sup>3</sup>	170 cm <sup>3</sup>
<b>Moment of Inertia (I)</b>	44 in <sup>4</sup>	1,831 cm <sup>4</sup>
<b>Outside Width</b>	8.5 in	216 mm
<b>Inside Width</b>	6.10 in	155 mm
<b>Material</b>	6061-T6 Marine Grade Aluminum	
<b>Sheet Piling Compatibility</b>	PZH-1, PZH-3, PZH-7	
<b>Tie Rod Compatibility</b>	AW 2.5" x 0.75" Rod Kit	
<b>Recommended Accessories</b>	45° and 90° SC-13 Corner Insert	
<b>Standard Colors/Surface Treatment</b>	Mill Finish	
<b>Standard Packaging</b>	25ft SC-13 Cap, SS and Nylon Fasteners, Splice Insert	



Physical properties are defined by ASTM testing standards, The Aluminum Association Design Manual, and/or standard engineering practice. The values shown are nominal and may vary. The information found in this document is believed to be true and accurate. No warranties of any kind are made as to the suitability of any CMI product for particular applications or the results obtained there from. ShoreGuard, C-Loc, TimberGuard, GeoGuard, Dura Dock, Shore-All, and Gator Gates are registered trademarks of Crane Materials International. ArmorWare, Ultra Composite, GatorDocks, GatorBridge and CMI Waterfront Solutions are trademarks of Crane Materials International. United States and International Patent numbers 5,145,287; 6,000,883; 6,033,155; 6,053,666; D420,154; 6,575,667; 7,059,807; 7,056,066; 7,025,539; 7,393,482; Other patents pending. © 2009 Crane Materials International. All Rights Reserved.