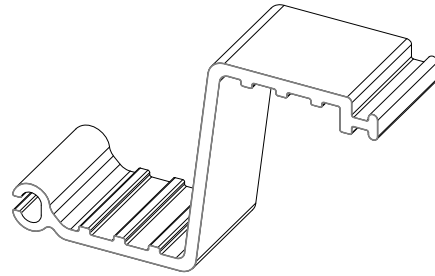


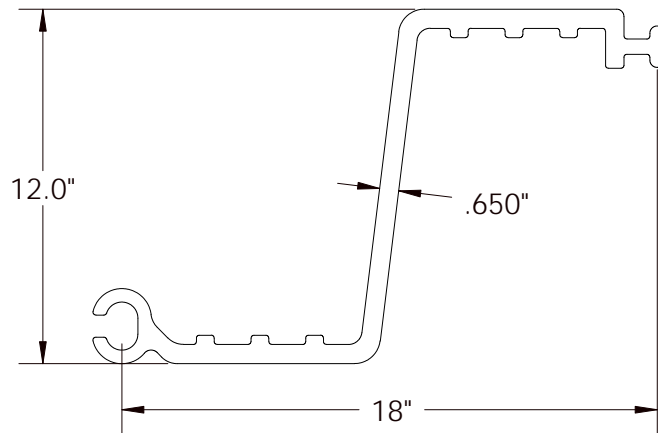


SG-950



Drawn: JAB Date: 06/18/09

Allowable Moment (M)	15,147 ft-lb/ft	67.37 kN-m/m
Section Modulus (Z)	56.8 in ³ /ft	3,054 cm ³ /m
Moment of Inertia (I)	341 in ⁴ /ft	46,567 cm ⁴ /m
Impact Strength	17,500 in-lbs/in ²	3,063 N-mm/mm ²
Thickness (t)	0.650 in	16.5 mm
Section Depth	12 in	305 mm
Section Width	18 in	457 mm
Material	Weatherable Rigid Vinyl	
Standard Colors	Grey, Clay	
Profile/Patented Features	Z Profile, I-Beam Lock, Structural Ribs	
Standard Packaging	6 sheets/bundle	



Physical properties are defined by ASTM testing standards, The Aluminum Association Design Manual, and/or standard engineering practice. The values shown are nominal and may vary. The information found in this document is believed to be true and accurate. No warranties of any kind are made as to the suitability of any CMI product for particular applications or the results obtained there from. ShoreGuard, C-Loc, TimberGuard, GeoGuard, Dura Dock, Shore-All, and Gator Gates are registered trademarks of Crane Materials International. ArmorWare, Ultra Composite, GatorDocks, GatorBridge and CMI Waterfront Solutions are trademarks of Crane Materials International. United States and International Patent numbers 5,145,287; 6,000,883; 6,033,155; 6,053,666; D420,154; 6,575,667; 7,059,807; 7,056,066; 7,025,539; 7,393,482; Other patents pending. © 2009 Crane Materials International. All Rights Reserved.